



Peco Valves Pvt. Ltd.



6A - 0888 6D - 0790 600 - 0052

Gate Valves

ISO 9001 : 2008  
APPROVED BY IRQS

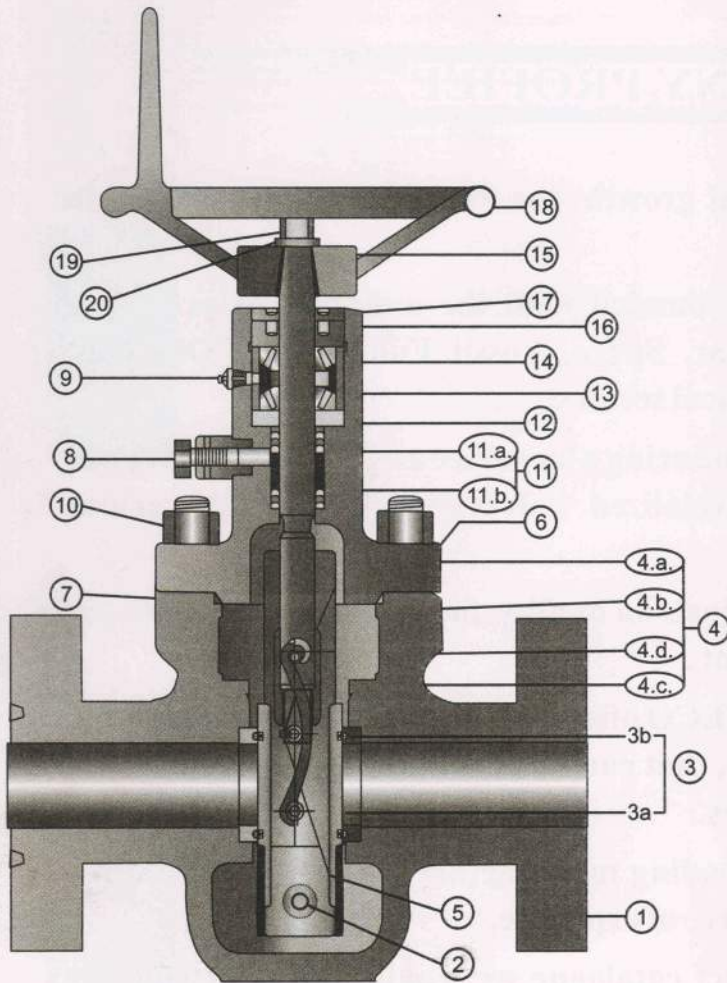


A DEPARTMENT OF  
INDIAN REGISTER OF  
SHIPPING



ACCREDITED BY THE  
DUTCH COUNCIL FOR  
ACCREDITATION

## API-6A



**Flanged Gate Valve (Model-P)**

### Part List

ITEM	DESCRIPTION	Qty.
1	BODY	1
2	BODY GREASE FITTING	2
3	SEAT ASSY	2
3a	SEAT	2
3b	TEFLON/T.F.E. RING	2
4	GATE SEGMENT ASSY	1
4a	GATE	1
4b	SEGMENT	1
4c	SPRING	2
4d	GATE PIN	6
5	GATE GUIDE	2
6	BONNET	1
7	BONNET SEAL RING	1
8	PACKING FITTING	1
9	BONNET GREASE FITTING	1
10	STUD WITH NUT	8
11	PACKING SET	6
11a	HEADER PACKING RING	2
11B	'V' PACKING RING	4
12	PACKING RETAINER BUSHING	1
13	BEARING SPACER SLEEVE	1
14	THRUST BEARING	2
15	STEM	1
16	BEARING RETAINER NUT	1
17	BEARING RETAINER LOCK NUT	1
18	HAND WHEEL	1
19	HAND WHEEL NUT	1
20	WASHER FOR HANDWHEEL NUT	1

### STANDARD SPECIFICATION

- Manufactured and Tested in Accordance with API.6A
- Forged Steel Body and Bonnet
- A True Bi-Directional Valve
- Low Operating Torque
- Shear Pin Protected Internal Works
- Available for Service Down to -75 For up to 400 F
- Quick Release Hand Wheel
- API.6A PSL, 1,2,
- Supplied with Full Certification
- API.6A Material Classes: All Available
- Material Classes AA, BB, CC, DD, EE, HH, to NACE MR-01-75
- Available from 2000 psi to 10,000 psi in all Popular Bore Sizes