



**BUTTER FLY VALVES**

**Material of Construction**

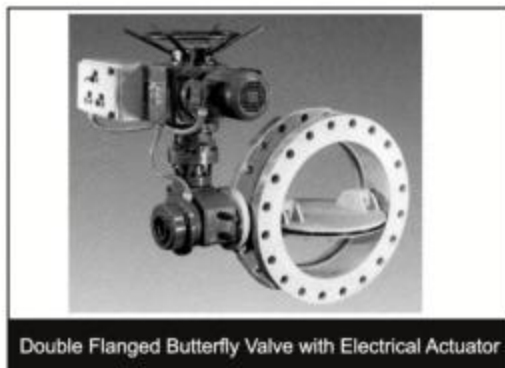
Component Body	Material Specification C. I. IS. - 210 FG - 200	Optional Material WCB - ASTM - A - 216, CF8 - ASTM - A - 352, CF8M - ASTM - A - 351
Disc	C. I. IS. - 210 FG - 200	WCB - ASTM - A - 216, CF8 - ASTM - A - 352, CF8M - ASTM - A - 351
Shaft	IS - 1570 Grade 40C - 8	AISI - 410, 304, 316.
Seat	Nitrile / EPDM	Neoprene / Silicon / viton
Bush Bearing	Self Lubricating Sintered Bronze	G.M. / PTFE.



Butterfly Valve - Gear Operator



Butterfly Valve with Hand Lever Operator



Double Flanged Butterfly Valve with Electrical Actuator

**Typical Fields of Applications**

- Water treatment & effluent treatment plants
- Refrigeration & Air - conditioning plants.
- Sugar factories / Breweries.
- Food processing Industries.
- Chemical / Petrochemical industries.
- Seawater & Brine Pumping.



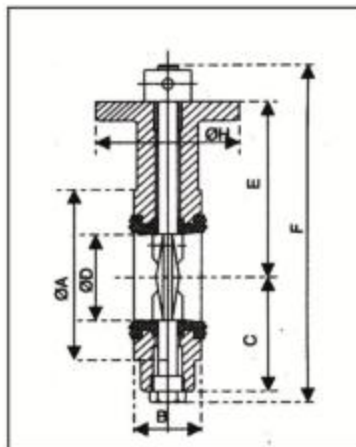
Butterfly Valve - Lugged Type Hand Lever Operator



**Technical Data**

Manufactured	As per IS - 13095 / BS - 5155 / AWWA - C - 504
Pressure Rating	PN - 10, PN - 16
Class	125 / 150
Temp. Range	-20° TO + 180°c
Face to Face Dimensions	ISO - 5752 / BS 5155 Wafer short / API - 609
Actuation By	Hand lever - DN - 25 to DN - 150 Gear Operated DN - 200 to DN - 1200
End Connections	Wafer - Flangeless Double Flanged
Suitable for Mounting Flanges to	IS / ANSI / BS / DIN Standards

**Note** - Pneumatic / Electric Actuators also can be provided

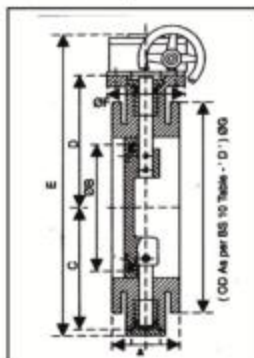
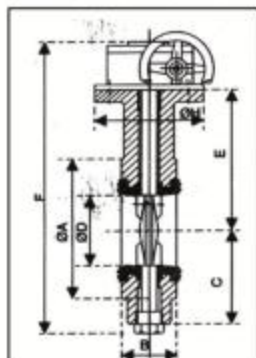


**Butterfly Valves Gear Operator:**

Size	A	B	C	D	E	F	H
DN-200	267	58	155	197	215	392	140
DN-250	323	66	192	248	247	462	140
DN-300	373	77	215	298	277	515	140
DN-350	437	81	255	340	305	650	150
DN-400	488	104	285	389	330	707	150
DN-450	538	113	315	438	370	792	170
DN-500	593	126	352	489	403	860	170
DN-600	694	152	419	585	485	1022	270
DN-700	806	167	470	688	560	1148	300

**Butterfly Valves - Hand lever Operator:**

Size	A	B	C	D	E	F	H
DN-25	65	29	48	26	77	144	60
DN-32	70	32	52	34	83	154	60
DN-40	83	32	57	45	95	172	60
DN-50	95	41	64.5	52.5	105	190	95
DN-65	107	45	70.5	65	116	207	95
DN-80	127	45	81	77.5	137	239	95
DN-100	162	50	101	104	150	272	95
DN-125	190	54	118	128	164	304	95
DN-150	216	54	129	145	179	329	95



**Double Flanged Butterfly Valves Gear Operator**

Size	A	B	C	D	E	F	G
DN-250	165	243	216	252	543	140	406
DN-300	178	293	248	284	607	140	457
DN-350	190	338	284	315	689	150	527
DN-400	216	387	311	333	734	150	578
DN-450	222	432	338	378	824	170	641
DN-500	229	478	360	396	860	170	705
DN-600	267	581	432	468	1017	270	826
DN-700	292	675	491	527	1125	270	940
DN-800	318	774	545	585	1247	270	1060
DN-900	330	873	612	648	1400	300	1150
DN-1000	302	977	671	702	1512	300	1283
DN-1100	440	1076	725	756	1643	320	1389
DN-1200	470	1175	783	819	1782	320	1492

**Additional Accessories :**

- 1 - Dismantling Joint
- 2 - Extension Spindle (for underground installation)

**NOTE :** Design features and Dimensional data as described in this brochure are for information only. Due to constant research and development dimensions are liable to change