



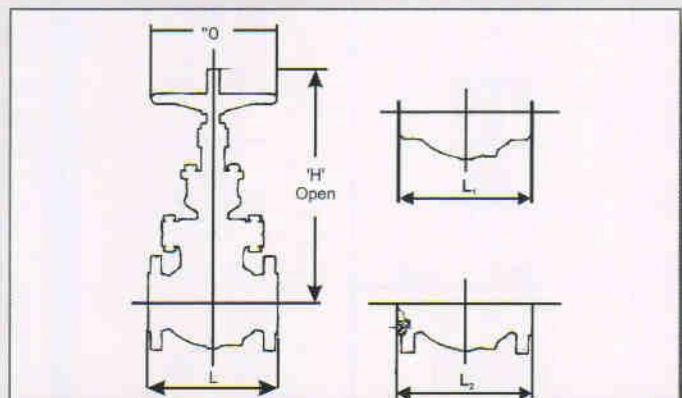
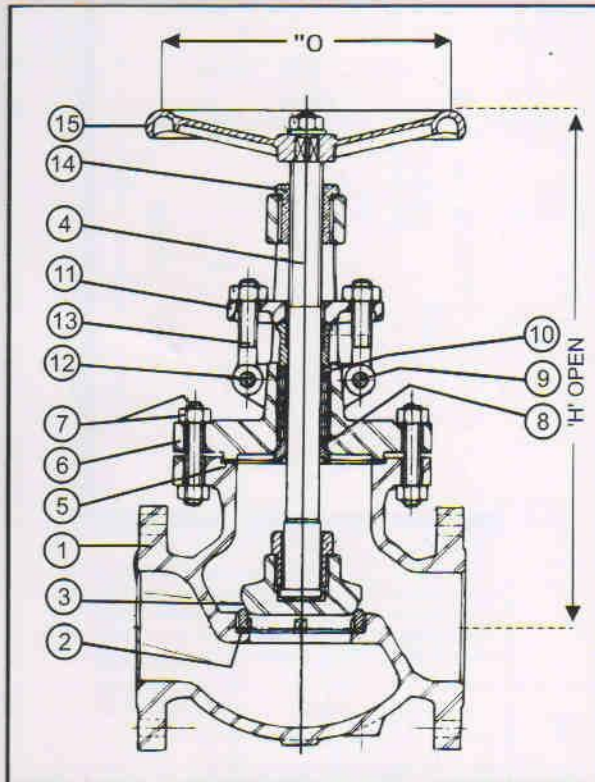
**Peco Valves Pvt. Ltd.**



ISO 9001 : 2008  
APPROVED BY IRQS



**Globe Valve**



**FEATURES**

- Design : BS1873
  - Face to Face : ASME B 16.10
  - Flanges : ASME B 16.5
  - Butt Welding : ASME B 16.25
  - Testing : API 598 BS 6755 Part 1
  - Material : ASTM Specification
  - Trims : Varieties of Combinations
- 
- Optional : Electrical & Geared Drive  
Bypass arrangement, Floor stand
- 
- Note : RTJ Joints on request.  
: RTJ Body Bonnet Joints for ratings  $\geq$  1500 lbs. (Standard)

**MATERIALS OF CONSTRUCTION**

No.	DESCRIPTION	WCB	C5	LCB	CF8M
01	BODY (a)	A216 Gr. WCB	A217 Gr. C5	A352 Gr. LCB	A351 Gr. CF8M
02	SEAT RING (b.c.)	WCB + 13% Cr. STEEL / A217 Gr. CA 15	C5 + 13% Cr. STEEL / A217 Gr. CA 15	A 351 Gr. CF8	A351 Gr. CF8M
03	PLUG (b.c.)	WCB + 13% CR. STEEL / A 276 TP 410	C5 + 13% Cr. STEEL / A 276 TP 410	A 276 TP 304 / A 351 Gr. CF8	A 276 TP 316 / A 351 Gr. CF8M
04	STEM (b)	A 276 TP 410	A 276 TP 410	A 276 TP 304	A 276 TP 316
05	GASKET (b)	SOFT IRON / SW SS + 304	SOFT IRON / SW SS + 304	CORRUGATED SS 304 / SW SS + 304	SW SS + 304 CORRUGATED SS 316
06	BONNET (a)	A 216 GR. WCB	A 217 Gr. C5	A 352 Gr. LCB	A 351 Gr. CF8M
07	JOINT STUDS & NUTS (b)	A 193 Gr. B7 & A 194 GR. 2H	A 193 Gr. B7 & A 194 Gr. 2H	A 320 Gr. L7 & A 194 Gr. 4	A 193 Gr. B7 & 194 Gr. 2H
08	BONNET BUSH (b)	A 276 TP 410	A 276 TP 410	A 276 TP 304	A 276 TP 316
09	GLAND PACKING (b)	GRAPHITE RINGS	GRAPHITE RINGS	GRAPHITE RINGS	GRAPHITE RINGS
10	GLAND BUSH	A 276 TP 410	A 276 TP 410	A 276 TP 304	A 276 TP 316
11	GLAND FLANGE (b)	A 216 Gr. WCB / CARBON STEEL	A 216 Gr. WCB / CARBON STEEL	A 216 Gr. WCB / CARBON STEEL	A 216 Gr. WCB / CARBON STEEL
12	CROSS BOLTS & NUTS	A 307 GR. B & A 563 Gr. A	A 307 GR. B & A 563 Gr. A	A 307 GR. B & A 563 Gr. A	A 307 GR. B & A 563 Gr. A
13	EYE BOLTS & NUTS	A 307 Gr. B & A563 Gr. A	A 307 Gr. B & A563 Gr. A	A 307 Gr. B & A563 Gr. A	A 307 Gr. B & A563 Gr. A
14	YOKE NUT	SGI/A 439 Gr / D2C	SGI/A 439 Gr. D2C	SGI/A 439 Gr. D2C	SGI/A 439 Gr. D2C
15	HAND WHEEL	C.S. FABRICATED	C.S. FABRICATED	C.S. FABRICATED	C.S. FABRICATED

Also Available : i) a) Body & Bonnet in WC6, C12, CF8  
ii) Compliance to NACE Standard MR 0175

b) Alternate Material

c) Stellite Facing





**Peco Valves Pvt. Ltd.**

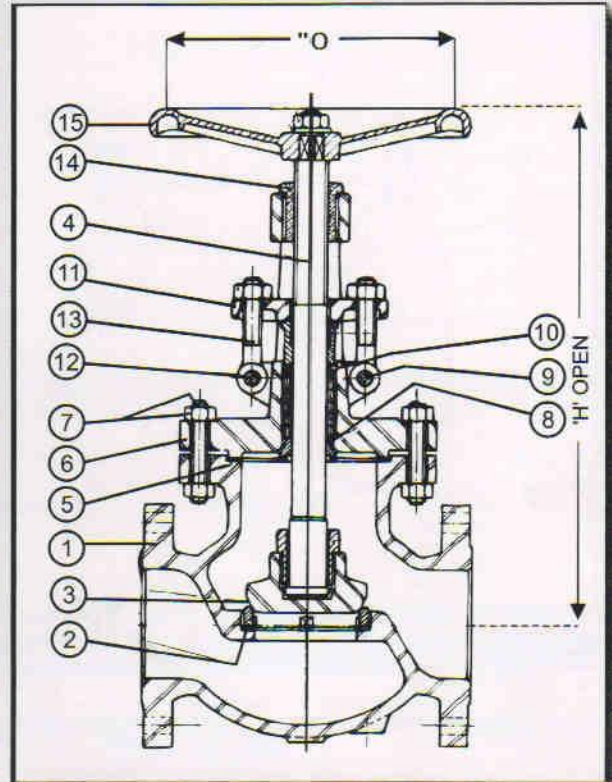
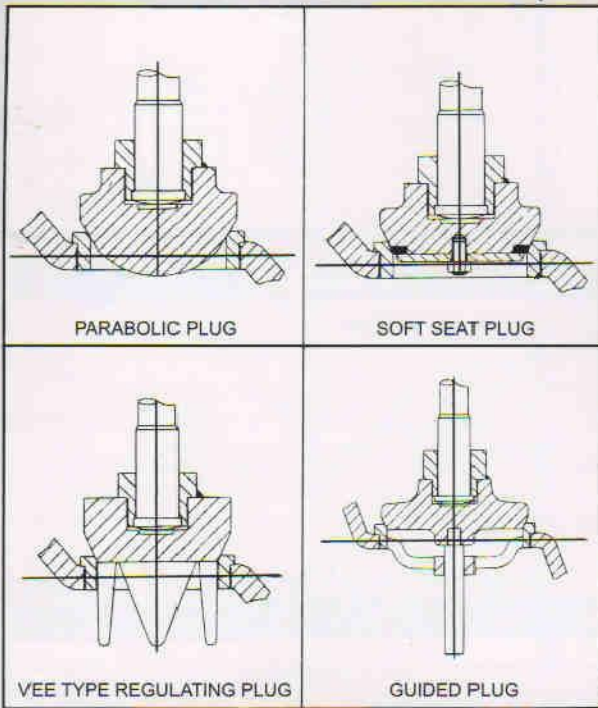


ISO 9001 : 2008  
APPROVED BY IRQS



**Globe Valve**

**VARIOUS PLUG DESIGN**



CLASS 150	DIMENSIONS											
	GLOBE VALVES											
SIZE NPS (")	1/2	3/4	1	1 1/2	2	2 1/2	3	4	6	8	10	12
SIZE DN (mm)	15	20	25	40	50	65	80	100	150	200	250	300
L <sub>1</sub> RF/BW mm	108	117	127	165	203	216	241	292	406	495	622	698
L <sub>2</sub> RTJ mm	-	-	140	178	216	229	254	305	419	508	635	711
H OPEN mm	160	190	208	276	308	350	397	455	581	715	834	920
O DIA mm	35	85	90	150	230	230	254	355	457	560	580	700
Wt. Apprx Kg.	7	8	9	14	18	28	35	57	98	185	275	390

CLASS 900	GLOBE VALVES						
	SIZE NPS (")	2	2 1/2	3	4	6G	8G
SIZE DN (mm)	50	65	80	100	150	200	-
L <sub>1</sub> RF/BW mm	368	419	381	457	610	737	-
L <sub>2</sub> RTJ mm	371	422	384	460	613	740	-
H OPEN mm	460	515	578	675	900	1230	-
O DIA mm	355	355	457	560	610	700	-
Wt. Apprx Kg.	93	108	120	176	360	745	-

CLASS 300	GLOBE VALVES											
	SIZE NPS (")	1/2	3/4	1	1 1/2	2	2 1/2	3	4	6	8	10G
L <sub>1</sub> RF/BW mm	152	178	203	229	267	292	318	563	444	559	622	711
L <sub>2</sub> RTJ mm	163	191	216	242	283	308	334	372	460	575	638	727
H OPEN mm	160	190	208	276	379	428	525	618	746	875	955	1050
O DIA mm	85	85	90	150	254	355	355	457	560	610	700	700
Wt. Apprx Kg.	10	12	14	22	27	42	55	104	160	295	375	525

CLASS 1500	GLOBE VALVES					
	SIZE NPS (")	2	2 1/2	3	4	6G
L <sub>1</sub> RF/BW mm	50	65	80	100	150	200
L <sub>2</sub> RTJ mm	368	419	470	546	705	832
H OPEN mm	371	422	473	549	711	841
O DIA mm	355	355	475	560	610	700
Wt. Apprx Kg.	87	128	290	435	540	975

CLASS 600	GLOBE VALVES											
	SIZE NPS (")	1/2	3/4	1	1 1/2	2	2 1/2	3	4	6	8	10G
L <sub>1</sub> RF/BW mm	165	190	216	241	292	330	356	432	559	660	787	-
L <sub>2</sub> RTJ mm	163	190	216	241	295	333	359	435	562	663	790	-
H OPEN mm	160	190	208	346	454	512	631	726	838	920	1130	-
O DIA mm	85	85	90	254	355	355	457	560	610	700	700	-
Wt. Apprx Kg.	12	14	16	30	40	60	73	112	245	445	680	-

Note :  
G : Geared / Nonrotating Stem.  
O : Manual Hand Wheel Operated

Tolerance :  
i) A±2mm upto 250 mm size  
±3mm above 300 mm size  
ii) H & O Approx.

Face to Face : ASME-B-16.10.