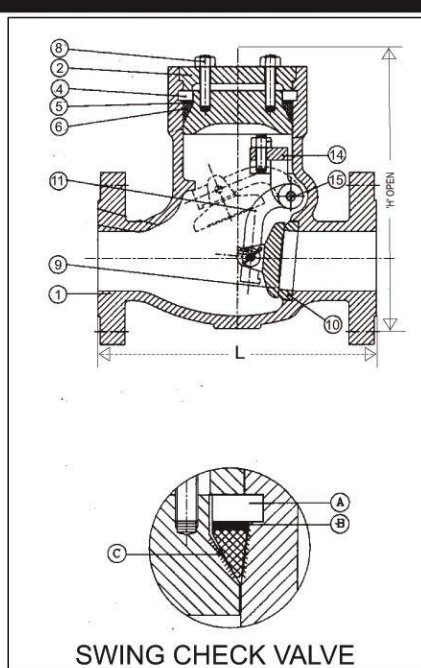
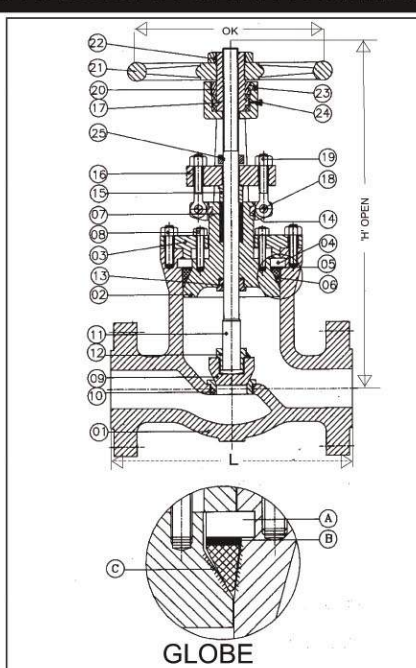
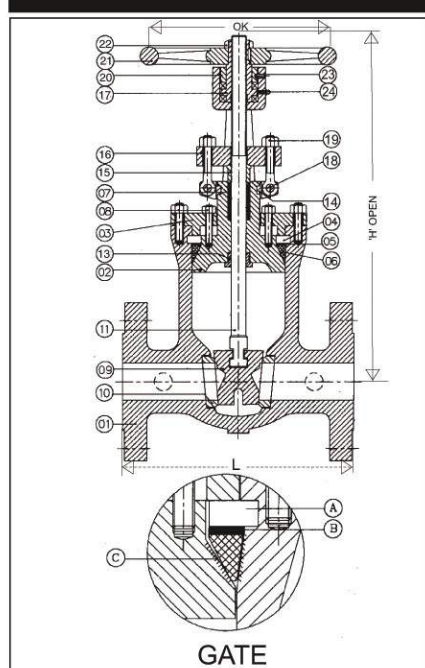




PRESSURE SEAL BONNET



MATERIALS

Part Name	Material	
25	Anti-rotation Device	Carbon Steel
24	Grease Nipple	Carbon Steel
23	Grub Screw	Carbon Steel
22	Hand Wheel Nut	Carbon Steel
21	Hand Wheel	Cast Steel Fabricated
20	Yoke Nut	Carbon Steel (SGI / TAG 30)
19	Eye Bolt and Nut	Forged Carbon Steel / Alloy Steel
18	Cross Bolt and Nut,	Forged Carbon Steel / Alloy Steel
17	Yoke Sleeve	A439 D2 / Al. Bronze, BS1400, AB2C
16	Gland Flange	Carbon Steel
15	Gland Bush/Hinge Pin	Stainless Steel
14	Clamp / Braket	Carbon Steel
13	Back Seat / Hinge Pin	Stainless Steel
12	Plug Nut	Stainless Steel
11	Spindle / Hinge	AISI 410
10	Seat Ring	C. S. with 13% cr.
09	Plug / DISC / Wedge	C. S. with 13% cr.

A Back Up Ring : Absorbs thrust applied by internal presure

B Thrust Ring : Protects the soft metallic gasket from deformation

C Gasket : Unique angular design provides superior sealing

Part Name	WCB	LCB	WC6	WC9
08	Stud and Nut	A 193 Gr B7 / A194 Gr 2H	A320 Gr L7 / A194 Gr 4	A193 Gr B16 / A194 Gr 4/7
07	Gland Packing	GRAFOIL	GRAFOIL	GRAFOIL
06	Gasket	Soft Iron	SS304	SS304
05	Thrust Ring	A217 Gr CA15/410	A 351 CF8	A217 Gr CA15/410
04	Back Up Ring	A217 Gr CA15/410	A 351 CF8	A217 Gr CA15/410
03	Yoke	A216 Gr WCB	A352 Gr LCB	A217 Gr WC6
02	Bonnet/Cover	A216 Gr WCB	A352 Gr LCB	A217 Gr WC6
01	Body	A216 Gr WCB	A352 Gr LCB	A217 Gr WC6

Part Name	C5	C12	CF8	CF8M
08	Stud and Nut	A193 Gr B16 / A194 Gr 4/7	A 193 Gr B7 / A194 Gr 2H	A 193 Gr B7 / A194 Gr 2H
07	Gland Packing	GRAFOIL	GRAFOIL	GRAFOIL
06	Gasket	SS304	SS304	SS316
05	Thrust Ring	A217 Gr CA15/410	A351 Gr CF8	A351 Gr CF8M
04	Back Up Ring	A217 Gr CA15/410	A351 Gr CF8	A351 Gr CF8M
03	Yoke	A217 Gr C5	A351 Gr CF8	A351 Gr CF8M
02	Bonnet/Cover	A217 Gr C5	A351 Gr CF8	A351 Gr CF8M
01	Body	A217 Gr C5	A351 Gr CF8	A351 Gr CF8M



PRESSURE SEAL BONNET VALVES

Features

- Outside Screw and yoke construction
- Flanged end or Buttwelding end
- Valves provided with back seating arrangement
- Solid, flexible, split wedge, double disc and parallel slide are available
- **Extended bonnet provided for low temperature and cryogenic services (cold box and non-cold box applications) to conform to requirements of BS 6364**
- **Specially designed die formed graphite packings, controlled clearances between stem, gland and bonnet bushing for guaranteed low emissions meet 100 ppm maximum fugitive emission levels.**
- Renewable, seal welded seat ring or integral seat ring (cast S. S. only) available
- Deep stuffing box - with lantern ring optional
- Self aligning two piece gland
- Anti-friction ball thrust bearings in yoke sleeve for higher sizes and classes
- Locking arrangement optional
- Bi-directional shut off
- Optional gear, electric or pneumatic actuator available
- Meets design requirement of ASME B16.34 / API 600 / API 603 / BS 1414 and testing requirement of API 598 / BS 6755 / API 6D
- Gasket design ensures self sealing under pressure
- Flanged end dimensions conform to ASME B16.5 / API 605 / BS 3293 / DIN
- Ring joint facings available in higher classes
- Buttwelding end dimensions conform to ASME B16.25
- Face to Face and End to End dimensions conform to ASME B16.10 / BS 2080 / DIN
- Regulating, guided and soft seated plugs are available for Globe valves
- Tilting disc design available for swing check valve

DIMENSIONS

Class 600		2	2 ½	3	4	5	6	8	10
Size	inch								
L	mm	292	330	356	432	508	559	660	787
L1-SP	mm	178	216	254	305	381	457	584	711
H	mm	525	610	650	775	825	1050	1200	1450
K	mm	250	250	300	350	400	500	600	600
Wt. (approx)	kg	35	55	62	105	160	205	400	690

Class 900		2	2 ½	3	4	5	6
Size	inch						
L	mm	368	419	381	457	559	610
L1-SP	mm	216	254	305	356	432	508
H	mm	550	645	670	790	855	1075
K	mm	300	300	300	400	450	300*
Wt. (approx)	kg	75	90	96	136	225	275

Class 1500		2	2 ½	3	4	5	6
Size	inch						
L	mm	368	419	470	546	673	705
L1-SP	mm	216	254	305	406	483	559
H	mm	570	670	725	850	890	1125
K	mm	300	300*	300*	300*	300*	350*
Wt. (approx)	kg	95	110	125	205	256	330

Class 2500		2	2 ½	3	4
Size	inch				
L	mm	451	508	578	673
L1-SP	mm	279	330	368	457
H	mm	600	695	740	890
K	mm	400	450	300*	350*
Wt. (approx)	kg	110	130	140	225

* Gear Operation suggested. Dimensions on request.
Abbreviation : SP - Short Pattern