



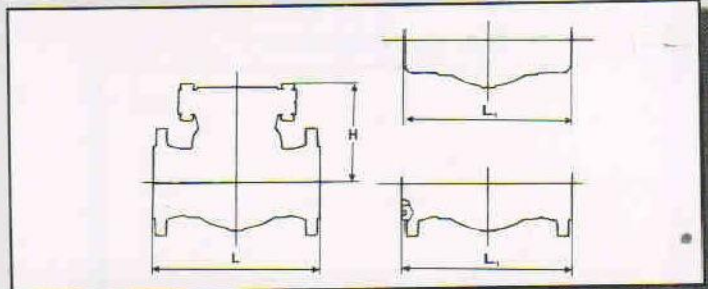
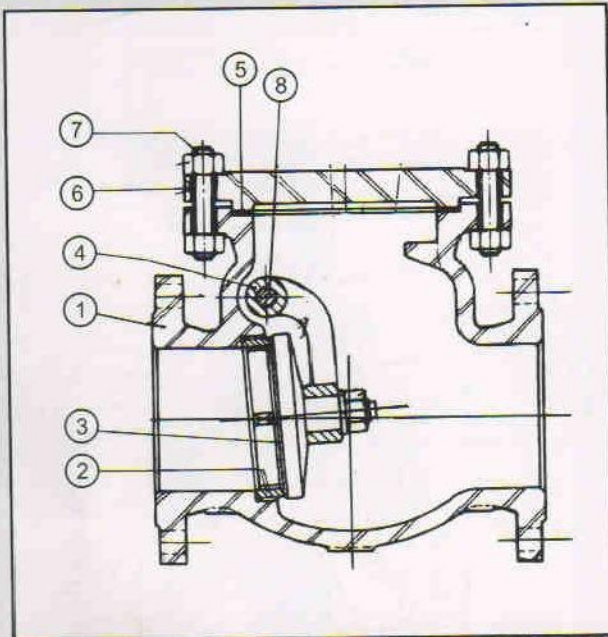
Peco Valves Pvt. Ltd.



ISO 9001 : 2008
APPROVED BY IRQS



Swing Check



FEATURES

- Design : BS 868 / API 6D/API 6A
- Face to Face : ASME B 16.10
- Flanges : ASME B 16.5
- Butt welding : ASME B 16.25
- Testing : API 598 / BS 6755 Part 1 / PI 6D
- Material : ASTM Specifications
- Trims : Varieties of combinations

Optional : By Pass arrangements

Note :
 : RT J Joints on request.
 : RT J Body Bonnet joints for ratings 1500 lbs. (Standard)

MATERIALS OF CONSTRUCTION

No.	DESCRIPTION	WCB	C5	LCB	CF8M
01	BODY (a)	A 216 Gr. WCB	A 217 Gr. C5	A 352 Gr. LCB	A 351 Gr. CF8M
02	SEAT RING (b.c.)	WCB + 13% Cr. STEEL/ A 217 Gr.CA 15	C5 + 13% Cr.STEEL/ A 217 Gr.CA 15	A 351 Gr. CF8	A 351 Gr. CF8M
03	DISC (b.c)	WCB + 13% Cr. STEEL/ A 217 GR.CA 15	C5 + 13% Cr. STEEL/ A 217GR.CA 15	A 352 Gr. LCB. + SS 304/ A 351 Gr. 8/A 352 Gr.LCB	A 351 Gr. CF8M
04	HINGE (b)	A 216 Gr. WCB	A 217 Gr.C5	A 351 Gr. 8/A 352 Gr.LCB	A 351 Gr.CF8M
05	GASKET (b)	SOFT IRON / SW SS 304	SOFT IRON / SS 304/	CORRUGATED / SS 316 SW SS	SW SS
06	COVER (a)	A 216 Gr.WCB	A 217 Gr. C5	A 352 Gr. LCB	A 351 Gr. CF8M
07	JOINT STUDS & NUTS	A 193 Gr. B7 & A 194 Gr.2H	A 193 Gr. B7 & A 194 Gr.2H	A 320 Gr.L7 & A 194 Gr.4	A 193 Gr. B7 & A 194 Gr.2H
08	HINGE PIN (b)	A 276 TP 410	A 276 TP 410	A 276 TP 304	A 276 TP 316

Also Available : i) a) Body & Bonnet in WC6, C12, CF8
 ii) Compliance to NACE Standard MR 0175

b) Alternate Material c) Setellite Facing

DIMENSION										
CLASS 150 SWAING CHECK VALVES										
SIZE NPS (")	2"	2 1/2"	3"	4"	6"	8"	10"	12"	14"	16"
SIZE DN (mm)	50	65	80	100	150	200	250	300	350	400
L ₁ RF/BW mm	203	213	241	292	356	495	622	698	787	864
L ₂ RTJ mm	216	229	254	305	369	508	635	711	800	877
H CT mm	132	152	173	208	254	308	330	362	425	500
Wt. Apprx. kg	16	24	27	45	73	132	238	295	525	610

DIMENSION						
CLASS 900 SWAING CHECK VALVES						
SIZE NPS (")	2"	3"	4"	6"	8"	10"
SIZE DN (mm)	50	80	100	150	200	250
L ₁ RF/BW mm	368	381	457	610	737	838
L ₂ RTJ mm	371	384	460	613	740	841
H CT mm	215	240	265	360	425	496
Wt. Apprx. kg	55	90	163	305	540	930

DIMENSION										
CLASS 300 SWAING CHECK VALVES										
SIZE NPS (")	2"	2 1/2"	3"	4"	6"	8"	10"	12"	14"	16"
L ₁ RF/BW mm	267	292	318	356	444	533	622	711	838	864
L ₂ RTJ mm	283	308	334	372	460	549	638	727	854	880
H CT mm	152	175	200	238	287	352	398	450	463	515
Wt. Apprx. kg	18	35	48	67	128	240	335	549	670	850

DIMENSION					
CLASS 1500 SWAING CHECK VALVES					
SIZE NPS (")	2"	3"	4"	6"	8"
L ₁ RF/BW mm	368	470	546	705	832
L ₂ RTJ mm	371	473	549	711	842
H CT mm	235	270	325	415	465
Wt. Apprx. kg	86	133	180	-	695

DIMENSION										
CLASS 600 SWAING CHECK VALVES										
SIZE NPS (")	2"	2 1/2"	3"	4"	6"	8"	10"	12"	14"	16"
L ₁ RF/BW mm	292	330	356	432	559	660	787	838	889	991
L ₂ RTJ mm	295	333	359	435	562	663	790	841	892	994
H CT mm	197	205	225	262	335	440	472	482	540	602
Wt. Apprx. kg	33	49	65	112	22	385	465	730	890	1090

DIMENSION					
CLASS 2500 SWAING CHECK VALVES					
SIZE NPS (")	2"	3"	4"	6"	8"
L ₁ RF/BW mm	451	578	673	914	1022
L ₂ RTJ mm	454	584	683	927	1038
H CT mm	120	170	210	285	445
Wt. Apprx. kg	75	110	155	402	667

Tolerance :- A: ± 2mm upto 250 mm size • ± 3 mm above 300mm size • H : Approximte • CT : Centre to Top